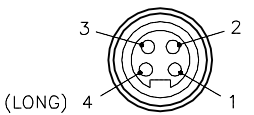

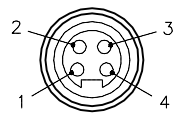

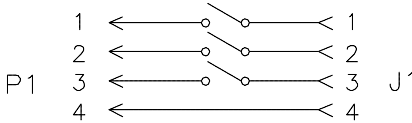
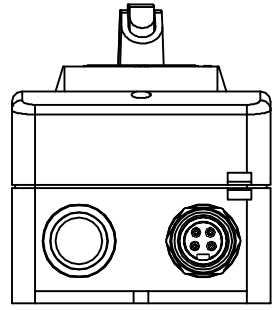
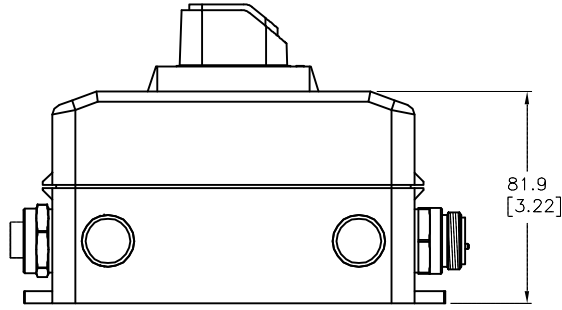
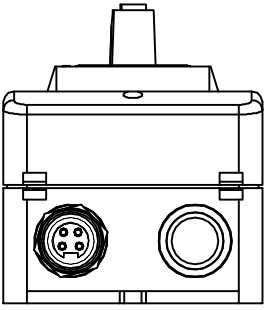
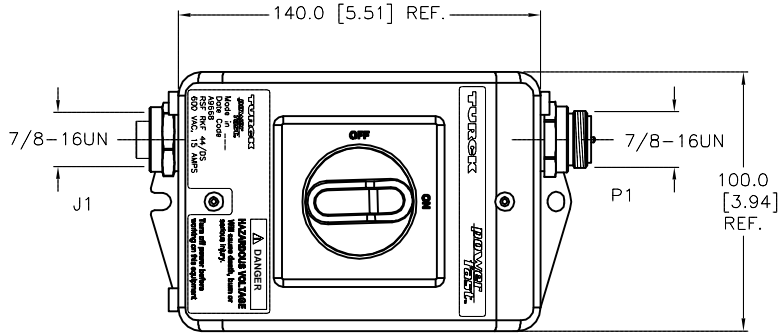


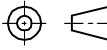
MALE END VIEW (P1)	FEMALE END VIEW (J1)	WIRING DIAGRAM	SPECIFICATIONS													
 <p>(LONG) 4</p> 	 		<table border="1"> <tr><td>ENCLOSURE MATERIAL</td><td>POLYCARBONATE</td></tr> <tr><td>POWER RECEPTACLES</td><td>A-SIZE POWER (P1,J1)</td></tr> <tr><td>PROTECTION CLASS</td><td>NEMA 12 AND IEC IP65</td></tr> <tr><td>OPERATING VOLTAGE [V] (P1,J1)</td><td>600 V</td></tr> <tr><td>OPERATING CURRENT [A] (P1,J1)</td><td>15.0 A</td></tr> <tr><td>MAXIMUM HORSEPOWER RATING</td><td>1 HP @ 120 V, SINGLE PHASE 1.5 HP @ 240 V, SINGLE PHASE 5 HP @ 240 V, THREE PHASE 10 HP @ 480 V, THREE PHASE 10 HP @ 600 V, THREE PHASE</td></tr> </table>	ENCLOSURE MATERIAL	POLYCARBONATE	POWER RECEPTACLES	A-SIZE POWER (P1,J1)	PROTECTION CLASS	NEMA 12 AND IEC IP65	OPERATING VOLTAGE [V] (P1,J1)	600 V	OPERATING CURRENT [A] (P1,J1)	15.0 A	MAXIMUM HORSEPOWER RATING	1 HP @ 120 V, SINGLE PHASE 1.5 HP @ 240 V, SINGLE PHASE 5 HP @ 240 V, THREE PHASE 10 HP @ 480 V, THREE PHASE 10 HP @ 600 V, THREE PHASE	
ENCLOSURE MATERIAL	POLYCARBONATE															
POWER RECEPTACLES	A-SIZE POWER (P1,J1)															
PROTECTION CLASS	NEMA 12 AND IEC IP65															
OPERATING VOLTAGE [V] (P1,J1)	600 V															
OPERATING CURRENT [A] (P1,J1)	15.0 A															
MAXIMUM HORSEPOWER RATING	1 HP @ 120 V, SINGLE PHASE 1.5 HP @ 240 V, SINGLE PHASE 5 HP @ 240 V, THREE PHASE 10 HP @ 480 V, THREE PHASE 10 HP @ 600 V, THREE PHASE															



SOURCE DRAWING - FOR REFERENCE ONLY

NOTE:
1. DISCONNECT SWITCH HAS LOCKOUT/TAGOUT CAPABILITIES.

CAUTION:
RISK OF ELECTRICAL SHOCK
DO NOT DISCONNECT UNDER LOAD

RELATED DOCUMENTS 1. 2. 3. 4.	3RD ANGLE PROJECTION 	THIS DRAWING IS CONFIDENTIAL AND THE PROPERTY OF TURCK INC. USE OF THIS DOCUMENT WITHOUT WRITTEN PERMISSION IS PROHIBITED.	3000 CAMPUS DRIVE MINNEAPOLIS, MN 55441 1-800-544-7769 (763) 553-7300 (763) 553-0708 fax turck.com	
MATERIAL SEE SPECIFICATIONS	ALL DIMENSIONS DISPLAYED ON THIS DRAWING ARE FOR REFERENCE ONLY	DRFT RWC DATE 01/14/11 APVD SCALE 1=3.0	DESCRIPTION RSF RKF 44/DS	
FINISH SEE SPECIFICATIONS	CONTACT TURCK FOR MORE INFORMATION	UNIT OF MEASUREMENT MILLIMETER [INCH] DO NOT SCALE THIS DRAWING		IDENTIFICATION NO. A9668 REV B FILE: A9668 SHEET 1 OF 1

B	ADD NOTE	NF	03/20/15	49304
REV	DESCRIPTION	BY	DATE	ECO NO.